

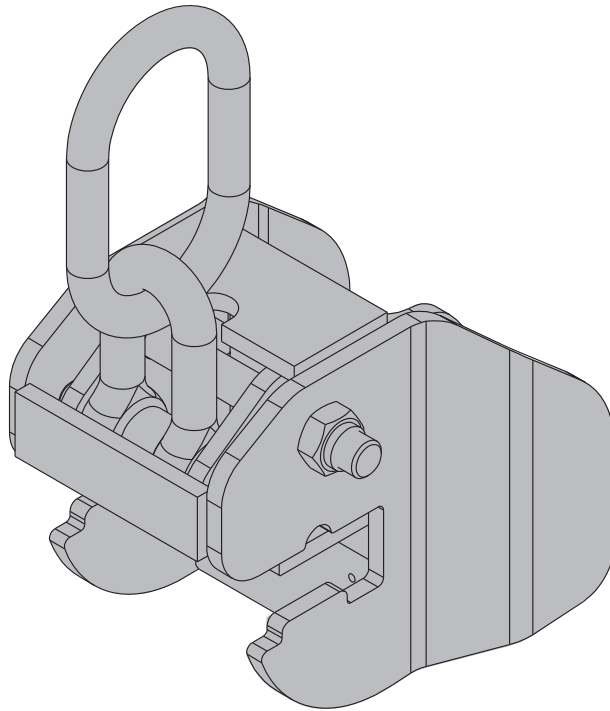
The Formwork Experts.

Frami lifting hook

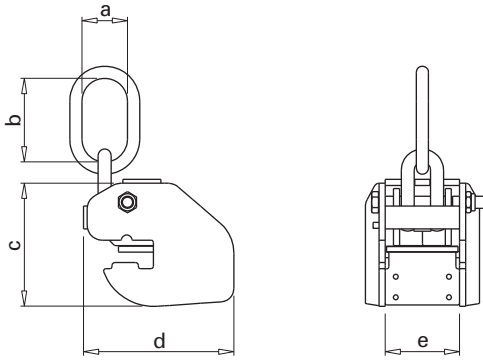
Art. n°: 588438000 | 1999 models onward

Original Operating Instructions

Please retain for future reference



Basic drawings of product



- a ... 60 mm (2 3/8")
- b ... 110 mm (4 5/16")
- c ... 162 mm (6 3/8")
- d ... 198 mm (7 7/8")
- e ... 98 mm (3 7/8")

Data on rating plate

Designation: Frami lifting hook

Art.n°: 588438000

Dead weight: 7.5 kg (16.5 lbs)

Max. load where $\beta \leq 30^\circ$: 500 kg (1100 lbs)

Max. load where $\beta \leq 7.5^\circ$: 750 kg (1650 lbs)

Year of manufacture: see rating plate



Use for the designated purpose only

The Frami lifting hook is a lifting accessory. It may only be used for raising, repositioning and laying down Frami panels and gang-forms assembled from these panels.



Important note:

- It is forbidden to use the product for anything but its intended purpose!
- It is forbidden to lift other manufacturers' formwork systems with it.
- The lifting hook must NOT be used on damaged (dented) profiles.
- The lifting hook must NOT be used for handling horizontally placed gang-forms.

Maintenance & inspection

- Repairs may only be carried out by the manufacturer!
- Doka accepts no liability for products that have been altered!

Before every use

- ▶ Check the lifting hook for any signs of damage or visible deformation (over-elongation).

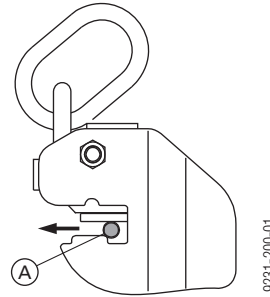


Pay particular attention to the following points:

- Crack-free and notch-free welds.
- No deformation.
- Rating plate must be in place and clearly legible



If you suspect that the lifting hook has been damaged, check it with the **caliber (A)** or have it inspected by Doka. If you can push the caliber all the way through, then the lifting hook must be withdrawn from use immediately.



The caliber (A) is available from Doka under art. n° 525600000.


At regular intervals

- Inspection of lifting accessories must be performed at regular intervals by an **expert** in conformity with **national statutory provisions**. Unless otherwise stipulated, such inspection must be carried out **at least once a year**.

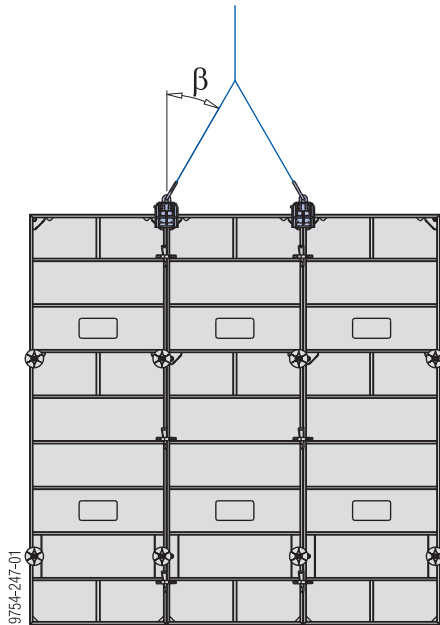
Storage

- Store lifting accessories in a dry and well ventilated place, protected from the weather and from all corrosive substances.

Positioning the lifting hooks

 Use 2 lifting hooks for each unit to be lifted!
Exception: Use 1 lifting hook for single panels.

- Always position the Frami lifting hook over the panel joint, to prevent it from sliding from side to side.
 - Exception:** On single panels incorporated in the horizontal, the lifting hook must be placed over a cross profile.

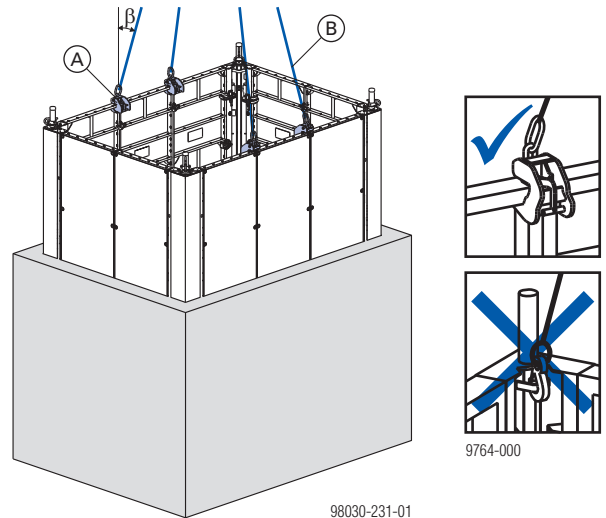


- Suspend the gang-form symmetrically (centre-of-gravity position).
- Spread angle $\beta \leq 30^\circ$ or $\beta \leq 7.5^\circ$!

Max. load:

- Spread angle β up to 30° :
500 kg (1100 lbs) / Frami lifting hook
- Spread angle β up to 7.5° :
750 kg (1650 lbs) / Frami lifting hook

When used with shaft formwork



β ... max. 15°

A Frami lifting hook

B Four-part lifting chain (e.g. Doka 4-part chain 3.20m)



The crane hook on the Stripping corner I is not allowed to be used for lifting the shaft formwork.

► The shaft formwork may **only be reset using lifting hooks.**

Permitted weight of the shaft formwork:
2000 kg (4400 lbs) with 4 Frami lifting hooks



Use a lifting beam for repositioning large gang-forms.

How to operate the lifting hook

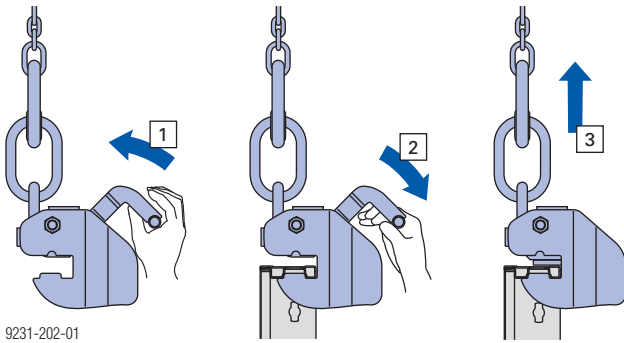
- 1) Raise the handle (locking lever) as far as it will go.
- 2) Push the lifting hook onto the frame profile as far as the rear stop, and close the handle (spring-loaded).



Do a sight-check to make sure that there is a secure form-fit between the lifting hook and the frame profile!

The handle must be closed!

- 3) When the panels are lifted by the crane, a load-dependent locking mechanism is activated.



Determining the correct length of chain

$\beta \leq 30^\circ$	$\beta \leq 7.5^\circ$
<p>92851-200</p> <p>$L_{\min} = a$</p>	<p>92851-201</p> <p>$L_{\min} = 4 \times a$</p>

Striking and repositioning the panels

Before lifting: Remove any loose items from the formwork and platforms, or secure them firmly.



WARNING

The formwork tends to adhere to the concrete. When stripping the formwork, do not try to break concrete cohesion using the crane! Risk of crane overload.

- Use suitable tools such as timber wedges or a special pry-bar to detach the formwork from the concrete.
- Lift the gang-form to its new location (guide with tag-lines if necessary).

Declaration of Conformity



EC Declaration of Conformity
pursuant to EC Directive 2006/42/EC.

The manufacturer declares that by reason of its conception and design, the following product

Frami lifting hook, Art.n° 588438000

conforms – in the version marketed by ourselves – to the pertinent fundamental health and safety stipulations of the relevant EC Directives.

The following harmonised Standards were applied:

- EN ISO 12100:2010
- EN 349:1993+A1:2008

Person authorised to compile technical documentation (pursuant to European Directive on Machinery Annex II):

Ing. Johann Peneder
Josef Umdasch Platz 1
A-3300 Amstetten

Amstetten, 19th August 2015

Doka GmbH
Josef Umdasch Platz 1
A-3300 Amstetten

Ludwig Pekarek,
Executive Manager

Johann Peneder,
Authorised Officer, Head of R&D